

1. DESCRIPTION

MT5729 is a SoC based wireless power receiver which is designed for applications with up to 30W power delivery and can be configured as a wireless charging transmitter to provide power to other receivers. It is fully compliant with the latest WPC Qi Specification.

The AC input can be converted to fully programmable DC output voltage due to the magnetic induction charging technology.

Designed with ARM Cortex M0 processor, integrated with optimized and adaptive full synchronous rectifier control and special LDO, the chip achieves high efficiency, ultra-low bias current and very small power MOSFET $R_{DS(ON)}$.

MT5729 is embedded with various protection features, such as FOD, over-voltage, over-current and over-temperature protection which guarantee the system reliability.

2. APPLICATIONS

- Smartphones and wearable devices
- TRx function for phones or power banks
- Other wireless power applications

3. FEATURES

- Power delivery: up to 30W
- Fully programmable output voltage (up to 20V) and current limit (up to 2A)
- Embedded with ARM Cortex M0 processor with 16KB SRAM and 16KB MTP
- AC input to DC output efficiency: Up to 97%
- Reverse charging mode with integrated dual-channel Tx demodulation
- Fully integrated bi-directional current sensing
- Embedded with various protection features: over-voltage, over-current, over-temperature protection, FOD
- Innovative output LDO with output clamping and fast response to line and load transient
- Latest Qi compliant and proprietary communication protocols support with hardware ASK and FSK modulation and demodulation
- Independent I²C slave and I²C master interface with additional GPIO's
- Halogen free and RoHS compliant
- 3.25mm x 3.66mm(8x9 ball array) WLCSP

4. TYPICAL APPLICATION CIRCUIT

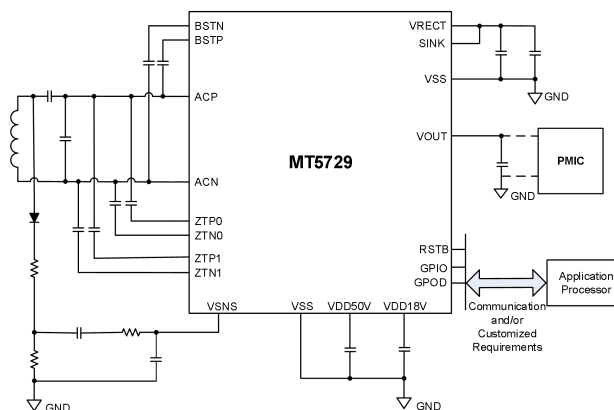


Figure 1 Typical Application Circuit