

1. FEATURES

- Compliant with the latest WPC Qi specification and supports various proprietary protocols
- Up to 15W power delivery
- 32 bits ARM-M0 with 4KB SRAM and 32KB MTP
- 4V to 20V Wide input VIN voltage
- Supports 6-channel DMA
- Supports 8-channel voltage and current ASK demodulation
- PLL with programmable VCO frequency and output divider
- Supports 12MHz~24MHz XTAL
- 48MHz oscillator with $\pm 1.5\%$ accuracy
- 12 bits 100ksps SAR ADC
- Supports SWD and I²C debug mode
- Supports QC, FCP, SCP, UFCS and USB PD
- 2 UART interfaces
- 3 advanced timers with PWM generation and capture function
- 1 basic timer with 2 channels
- Integrates high side current sense circuit
- Voltage/current demodulation flexible configuration
- Q-value detection
- Floating point $\ln(x)$ operation hardware acceleration support
- Supports CRC hardware
- Embedded with hardware UVLO/OCP
- Supports low power mode and ultra-low power mode
- Halogen free and RoHS compliant
- Available in FCQFN24L (3mm×4mm) package

2. APPLICATIONS

- WPC compliant wireless power transmitters for smart phones and wearable devices
- Medical, home appliance and industrial applications
- Other wireless power applications

3. TYPICAL APPLICATION CIRCUIT

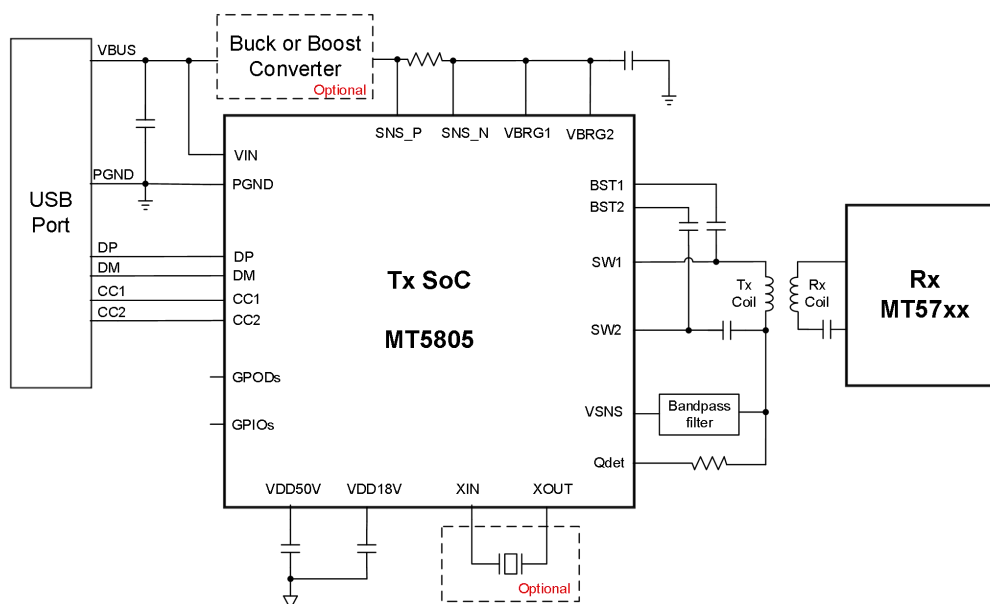


Figure 1 Typical Application Circuit

4. DESCRIPTION

MT5805 is a highly integrated, high performance System on Chip (SoC) for magnetic induction based wireless power transmitter solutions. It is fully compliant with the latest WPC Qi v1.3 specification, with both Baseline Power Profile (BPP) and Extended Power Profile (EPP) support.

MT5805 integrates separate high frequency and low frequency oscillators for low power and low cost applications. The internal high frequency PLL with support of external crystal is designed for high accuracy clock and PWM signal generation. The chip is able to provide flexible dead time control and phase shift generation to improve EMI performance.

MT5805 supports multi-protocol power adaptor interface detection and control with support of QC 2.0/3.0, USB PD, SCP, FCP, UFCS etc.

MT5805 integrates two LDO's, two channels of ASK demodulation Analog Front End (AFE), and 8 channels of ASK demodulation DSP. The embedded precise high-side current sense circuit, generic 12 bit SAR ADC and DAC enable high performance FOD and Q-factor detection.

MT5805 supports over-voltage protection (OVP), over-current protection (OCP), under-voltage protection (UVP) and over-temperature protection (OTP) for safe operation. In addition, the chip is embedded with a dynamic power limit (DPL) comparator to prevent IC from UVLO when the input power can't meet the requirement of output power. If VDD50V drops below the DPL threshold, the chip decreases the output power accordingly to protect system from entering UVLO state.

MT5805 integrates an ARM Cortex M0 processor with 4KB SRAM and 32KB MTP memory and various serial interfaces (I²C, UART, GPIO's, etc.), offering powerful processing capabilities and code space. The reference application is available with standard firmware. With the support of library (released separately), customers can easily develop the customized features.