

5. TYPICAL APPLICATION CIRCUIT

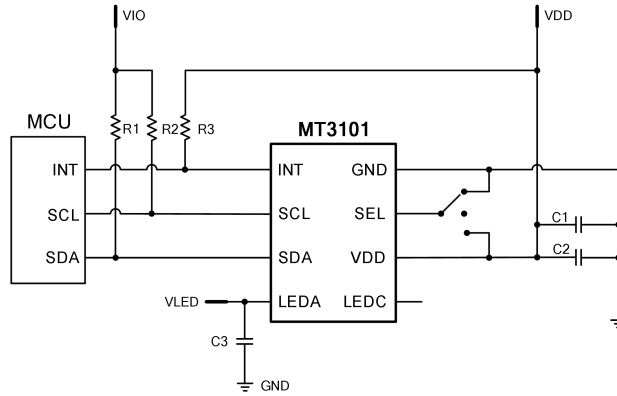


Figure 2 Typical Application Circuit

Table 1 Bill of Material

Component	Recommended Value	Condition/Range
VLED	The voltage needs to be greater than 2.7V, and depends on system design.	
R1, R2	Typical 2.2K Ω , depends on system design ^① .	
R3	Typical 10K Ω , depends on system design ^① .	
C1	0.1 μ F, \pm 20%	Close to the sensor as much as possible.
C2 (Optional)	1.0 μ F, \pm 20%	Close to the sensor as much as possible.
C3	2.2 μ F, \pm 20%	Close to the sensor as much as possible.

Note:

① I²C Pull-up resistor for standard protocol format.